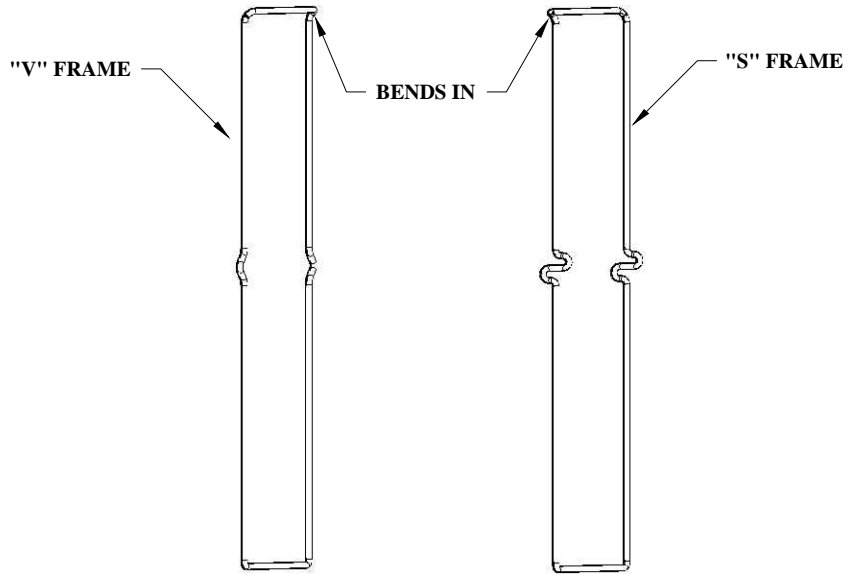


①

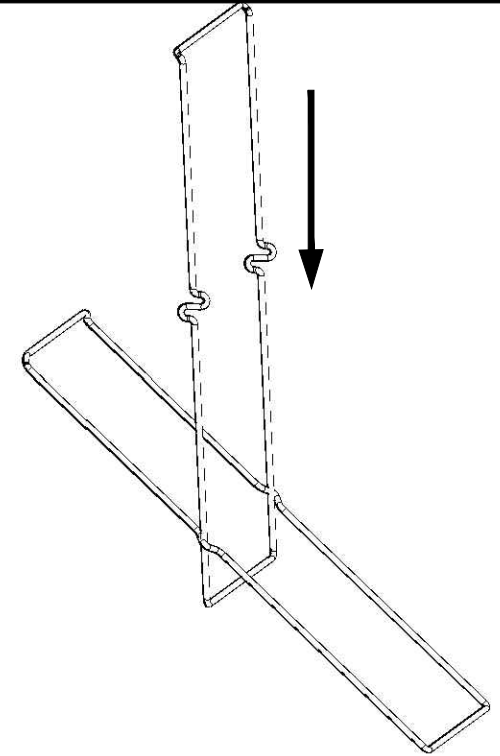


1. PLACE THE "V" FRAME IN YOUR LEFT HAND AND THE "S" FRAME IN YOUR RIGHT HAND, REMEMBERING TO HOLD BOTH FRAMES WITH BENDS FACING IN TOWARDS EACH OTHER.

②

2A. PLACE "V" FRAME ON AN ANGLE, HOLDING THE BOTTOM WITH YOUR FOOT AND THE TOP WITH YOUR HAND.

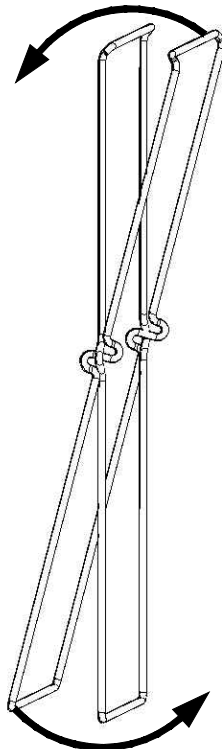
2B. LIFT AND SLIDE BOTTOM EDGE OF "S" FRAME DOWN INTO THE BENDS OF THE "V" FRAME UNTIL THEY LOCK



③

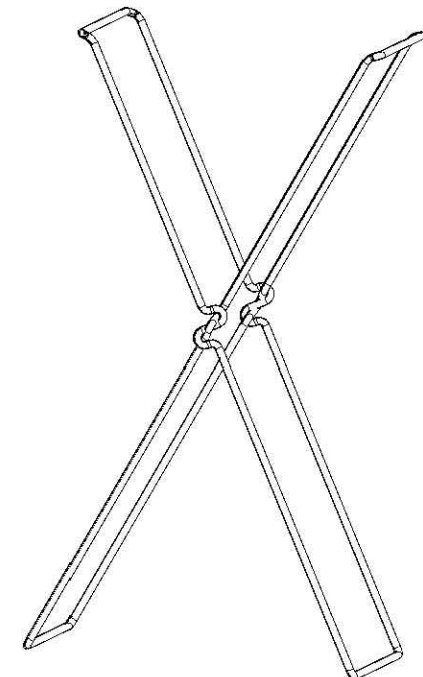
3A. NOW CROSS THE "S" FRAME **OVER** THE "V" FRAME AT THE TOP AND AT THE BOTTOM

3B. TIP: CROSS THE TOP SIDE FIRST. HOLDING WITH ONE HAND AT THE TOP, CROSS THE BOTTOM WITH OTHER HAND.



④

4. LET THE FRAMES FULLY EXTEND.



WATCH ASSEMBLY TUTORIAL VIDEO:

WWW.BBPONLINE.COM/SPECIALITY-PRODUCTS/HAMPER-STAND